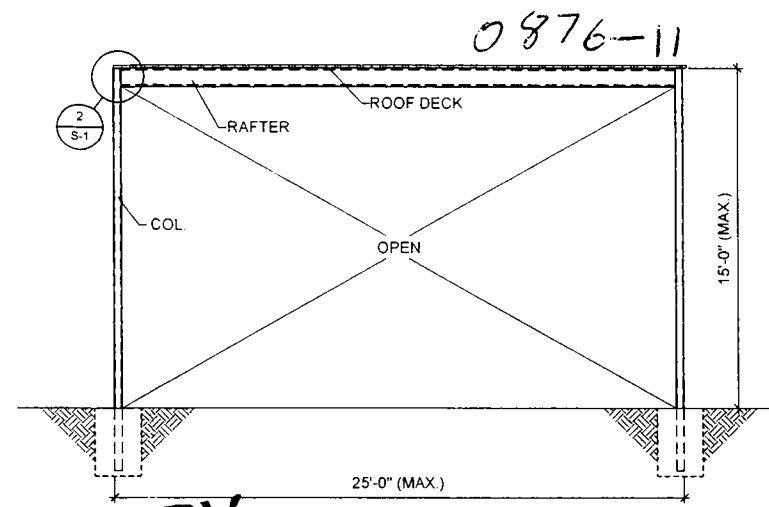
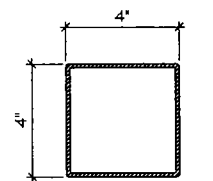


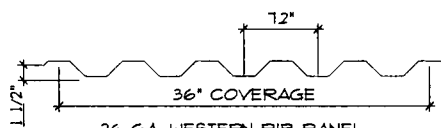
FOUNDATION & FRAMING PLAN
SCALE 1/4" = 1'-0"



ELEVATION
SCALE 1/4" = 1'-0"



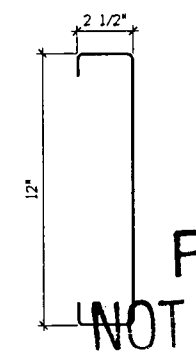
COLUMN
4" X 4" X 1/4 GAGE T.S.
Ix = 2.1991 in.⁴ Sx = 1.3998 in.³
Fy = 55 ksi.



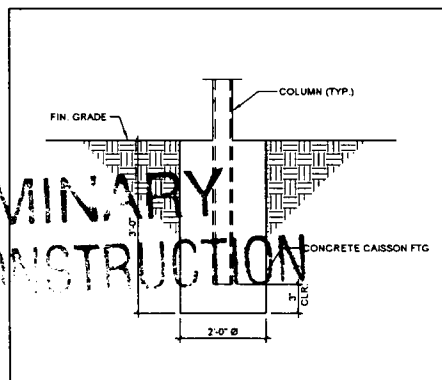
DECK PROFILE
26 GA. WESTERN RIP PANEL
Ix = 0.66 in.⁴/ft.
Sx(t) = 0.14 in.³/ft. Sx(b) = 0.62 in.³/ft.
Fy = 50 ksi.

BASE PLATE SOLD SEPARATELY
BOLTS NOT SUPPLIED

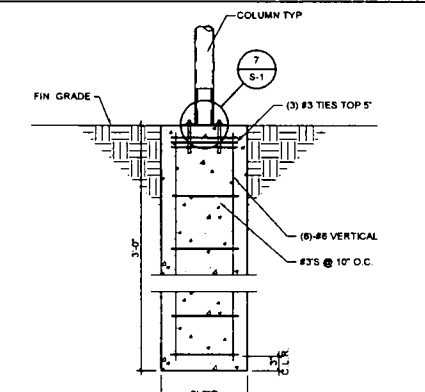
NOTE: STRUCTURE SHALL NOT BE MODIFIED OR ALTERED WITHOUT WRITTEN PERMISSION FROM WESTERN STATES DECKING. STRUCTURAL CALCULATION REQUIRED FOR ANY MODIFICATION.



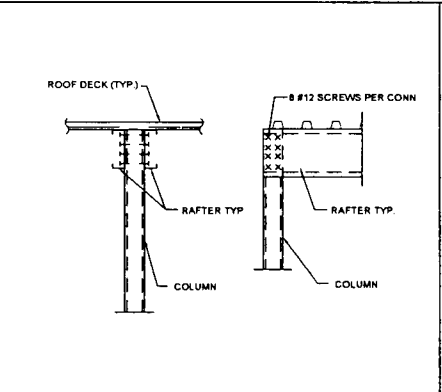
RAFTER
12" X 2 1/2" X 1/2 GAGE CEE
Ix = 36.173 in.⁴ Sx = 6.1289 in.³
Fy = 55 ksi.



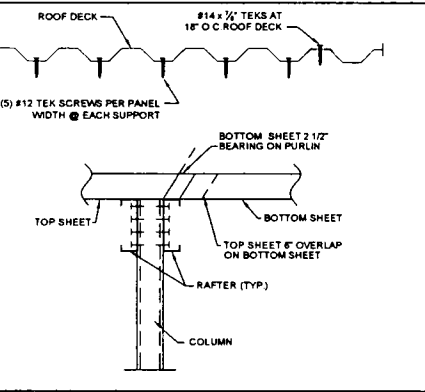
1 STANDARD FOOTING N.T.S.



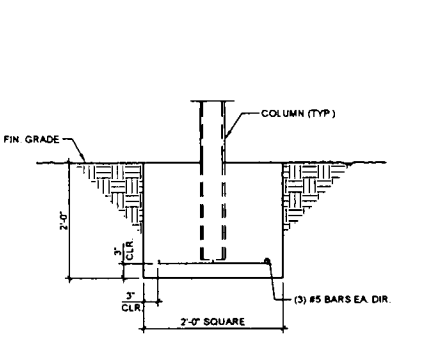
1A CAISSON FTG. w/ BASE PLATE N.T.S.



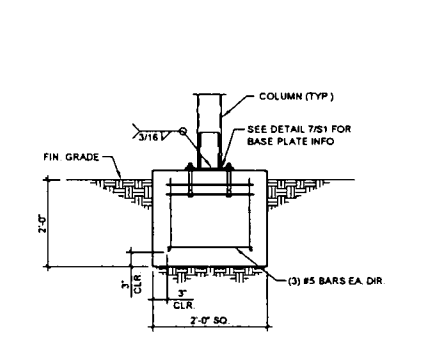
2 PURLIN TO COLUMN CONN. N.T.S.



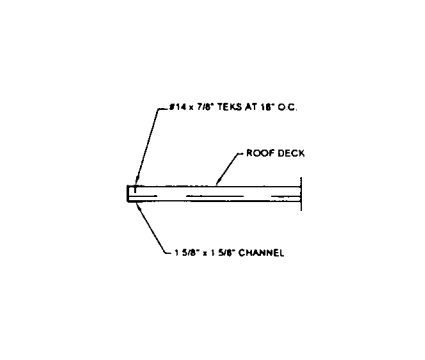
3 ROOF DECK CONNECTION N.T.S.



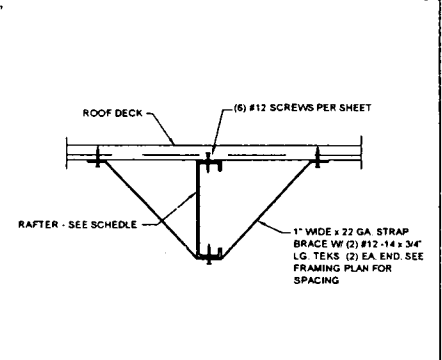
4A OPT. SPREAD FOOTING N.T.S.



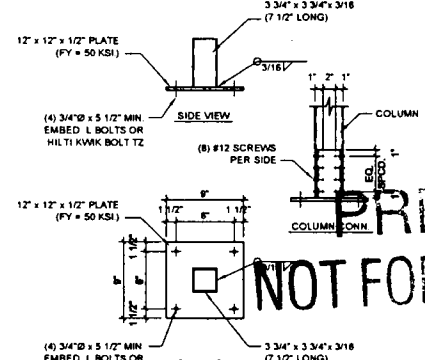
4B OPT. SPREAD FTG. N.T.S.



5 FASCIA CHANNEL DETAIL N.T.S.



6 RAFTER BRACING DETAIL 1 1/2" = 1'-0"



7 BASE PLATE DETAIL N.T.S.

GENERAL STRUCTURAL NOTES

- CODE:
2009 International Building Code
2007 American Iron and Steel Institute Handbook of Cold-Formed Steel Design w/ 2008 Supplement.
- Loads:
Roof Live Load = 20 PSF (snow)
Wind Load Basis = 90 MPH, Exposure 'C'
Occupancy Category = II, Seismic Design Category = D
- Foundations:
Allowable soil bearing value is 1500 PSF at 24" below finish grade or existing natural grade, whichever is the lower elevation. Round or square caisson footing embedment depths for footings do not apply to locations where walls of the hole will not stand without supplemental support, or where UNCOMPACTED fill of organic fill material exists. Design lateral soil pressure per IBC Table 18-1-A for Class 5 soils.
- Concrete:
All concrete herein required shall be done in accordance with ACI Standard 301-05, "Specifications for Structural Concrete for Buildings", which is hereby made a part of these documents, with the following modifications:
Para 2.1.2 Cement shall comply with ASTM C150, Type II, and shall contain no flyash.
Para 3.2 F'c shall be 2,500 PSI minimum for all concrete at 28 days.
Para 4.1.3 The use of earth cuts for forms is permitted.
Para 5.2 Reinforcing shall be new billeted steel complying with ASTM A615, Grade 40.
- Structural Steel:
All structural steel shall be ASTM A36 (Fy=36,000 PSI) or ASTM A 572 GRADE 50 (Fy=50,000PSI). All pipe shall be ASTM A 501 (Fy= 36,000 PSI) or ASTM A53, Type 'E' or 'S' grade 'B' (Fy= 36,000 PSI). All tubular steel shall be ASTM A500 (Fy=46,000 PSI). All bolts shall be ASTM A307 (Fy= 36,000 PSI). Latest ASC and AWS codes apply. All construction per latest ASC handbook. All expansion bolts to have current I.C.C. approval. All welding by welders holding valid certificates and having current experience in type of weld shown on the drawings or notes. Certificates shall be those issued by and accepted testing agency. All welding by E70 series low hydrogen rods. (Use ASTM A706 - grade 40 reinforcing bars). All welding per American Welding Society Standards.

6 Drawing sealing requirement
These drawings are to be wet sealed by the engineer. All copies shall bear wet seals. A copy of this drawing is disturbed without the proper wet seal the drawing is considered invalid. The duplication of copies of this drawing could mean the original drawing has been modified from its original content. All markings removed from the below wet sealed. All wet sealed drawings are signed in blue ink and are accompanied with a red ink 'WET SEAL ONLY WHEN WET SEALED' stamp.

- Steel Roof Decking:
Steel roof deck shall conform to the specifications of the steel deck institute. Fy = 80 KSI.
Connections to framing members shall be not less than the following:
1. To all transverse supports six (6) #12-18 screws per sheet.
2. Panel seams use #14 - 7/8" Teks @ 18" o.c.
3. Panel to run continuous over minimum two spans.
4. Minimum spacing of screws shall not be less than 3 diameters.
5. The head of the screw or washer shall have a diameter, dw of not less than 5/16" washers shall be at least 0.05 "thick"
- All screws shall conform to SAE J78 provisions of structural screws.
- 8 Light Gauge Structural Steel Framing:
All structural steel framing material and its erection shall be in accordance with the latest edition of the American Iron and Steel Institute "Specifications for the Design of Cold Formed Steel Structural Members".
All welding to be prepared by welders holding a valid certificate and having current experience in light gauge steel. Certificates shall be issued by an accepted testing agency. Do not drill or notch members without prior approval of the structural engineer. All welding to be performed in an approved fabricators shop.
Structural steel members are furnished to a specified minimum yield point of 55 KSI. The grade and the ASTM specification number or other specification designation shall be indicated by painting, decal, tagging or other suitable means on each lift or bundle of fabricated elements.

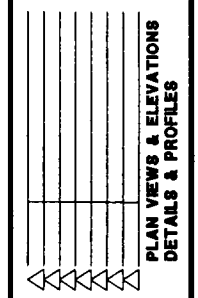
Gage No.	12	14	16	18	20	22	24	26	29	30
Design Thickness, inches	0.1046	0.0747	0.0598	0.0478	0.0359	0.0299	0.0239	0.0179	0.0135	0.0120

9 Contractor:
The contractor must submit in writing any requests for modifications to the plans and specifications and no structural changes from the approved plans shall be made in the field, unless prior to making changes, written approval is obtained from the engineer. Shop drawings submitted to the engineer for review do not constitute "in writing" unless it is noted that specific changes are being requested. If changes are made without written approval, such changes shall be the legal and financial responsibility of the contractor or sub-contractors involved and it shall be their responsibility to replace or repair the condition as directed by the engineer.

Contractor shall provide all temporary bracing, shoring, guying or other means to avoid excessive stresses and to hold structural elements in place during erection. The provisions shall remain in position until permanent members are erected to insure the safety of the partially erected structure. The contractor's structural drawings and specifications represent the finished structure. Observation visits to the site by the structural engineer shall not include inspection of the above items. The above plans and specifications shall meet or exceed all state and local code requirements before erection. The undersigned engineer will not supervise the fabrication or erection of this structure.

S. E. CONSULTANTS, Inc.
Structural Engineering Consultants
5800 East Thomas Road, Suite 104
Scottsdale, AZ 85251
Phone: (480) 946-2010
Fax: (480) 946-1909

WESTERN STATES DECKING, INC.
25'-0" x 8'-9" x 15'-0" MAX. HEIGHT
RV CANOPY
20 PSF(SNOW), 90 MPH, SEISMIC DESIGN CAT. 'D'
ARIZONA STANDARD



design GCS
drawn RJG
check SWS
DATE 06/15/11
SHEET S-1 of 1
JOB 0788-11